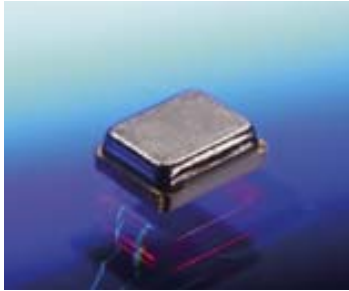


Crystal Resonator (HCR)



XRCGB series 【For consumer equipment】



■ FEATURES

Small package (2.0 × 1.6mm)
Compatible with RoHS directive (phase 3)

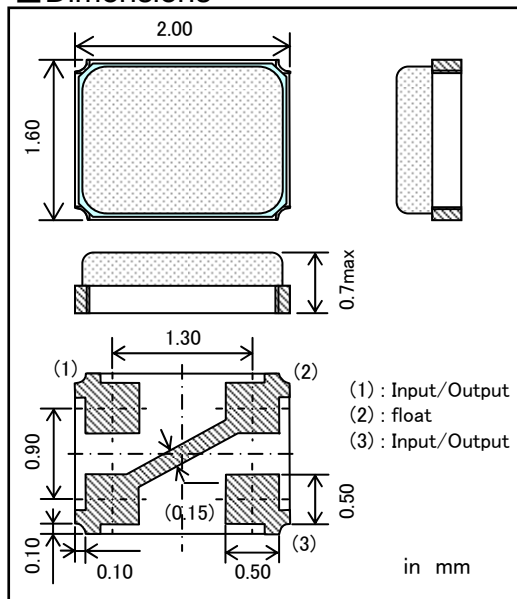
■ APPLICATIONS

Equipment for USB3.0
PC / Visual equipment / Small portable equipment

■ STANDARD SPECIFICATIONS

ITEM	SPECIFICATIONS	REMARK
Nominal Frequency	24.0000MHz 25.0000MHz 27.0000MHz 27.1200MHz 30.0000MHz	The available nominal frequencies are shown in left.
Frequency Tolerance	+/- 30ppm	+25 +/-3°C
Frequency shift by temperature	+/- 40ppm (-30 to +85°C)	Based on +25°C
Operating Temperature	-30 to +85 °C	
Equivalent Series Resistance	100Ω max. (30.0000MHz) 150Ω max. (24.0000MHz to 27.1200MHz)	
Drive Level	300 μW max.	
Load Capacitance	6 pF	

■ Dimensions



■ Part Number

XRCGB 30M000 F3M00 R0

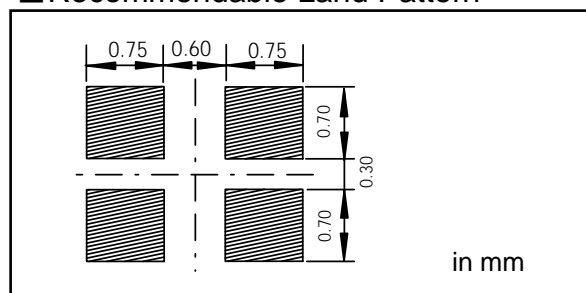
Series Name Nominal Frequency Individual Specification Packaging

*Frequency is expressed by six-digit alphanumeric.

(example : 30.0000MHz → 30M000)

*With standard products, individual Specification is "F3M00"

■ Recommendable Land Pattern



HCR : Hybrid Crystal Resonator

This information may be changed without a previous notice.