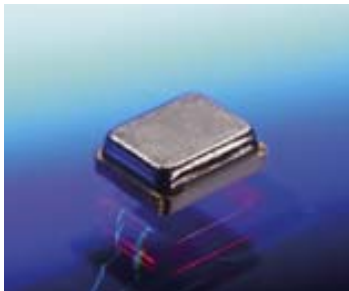


# Crystal Resonator (HCR)



## XRCGB series 【For consumer equipment】



### ■ FEATURES

Small package (2.0 × 1.6mm)  
Compatible with RoHS directive (phase 3)

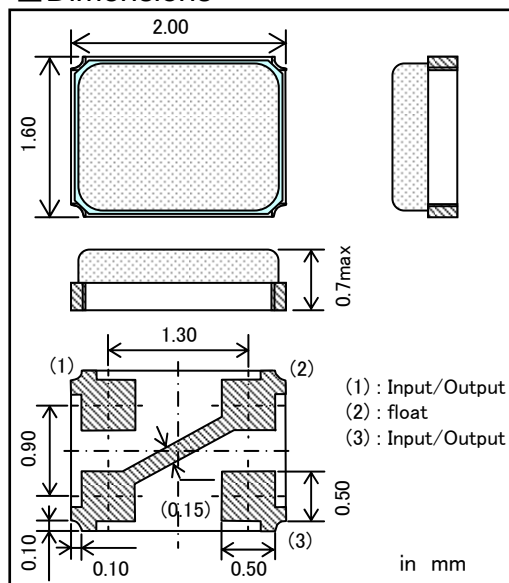
### ■ APPLICATIONS

Equipment for USB3.0  
PC / Visual equipment / Small portable equipment

### ■ STANDARD SPECIFICATIONS

ITEM	SPECIFICATIONS	REMARK
Nominal Frequency	33.8688MHz 40.0000MHz 48.0000MHz	The available nominal frequencies are shown in left.
Frequency Tolerance	+/- 45ppm	+25 +/-3°C
Frequency shift by temperature	+/- 40ppm (-30 to +85°C)	Based on +25°C
Operating Temperature	-30 to +85 °C	
Equivalent Series Resistance	100 Ω max.	
Drive Level	300 μW max.	
Load Capacitance	6 pF	

### ■ Dimensions



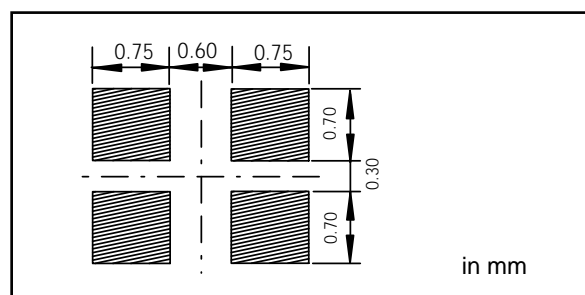
### ■ Part Number

**XRCGB 33M868 F4M00 R0**  
 Series Name      Nominal Frequency      Individual Specification      Packaging

\*Frequency is expressed by six-digit alphanumeric.  
(example : 33.8688MHz → 33M868)

\*With standard products, individual Specification is "F4M00"

### ■ Recommendable Land Pattern



HCR : Hybrid Crystal Resonator

This information may be changed without a previous notice.